

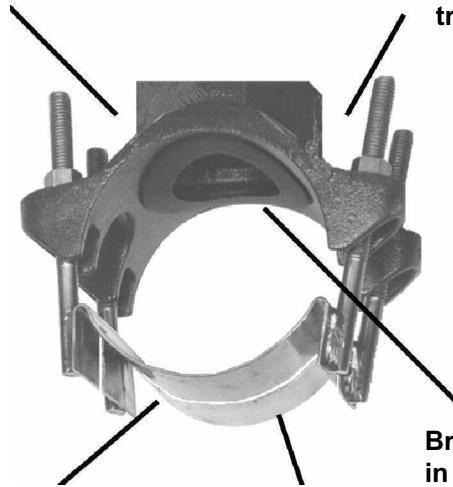


JCM Service Saddle for Polyethylene Pipe

**JCM
INDUSTRIES**

Wide Body Wrap Around Design

Saddle though 12" have 160 - 180 degree pipe contact. Wide stainless steel strap make for 350 degree contact.



Wide Stainless Steel Strap

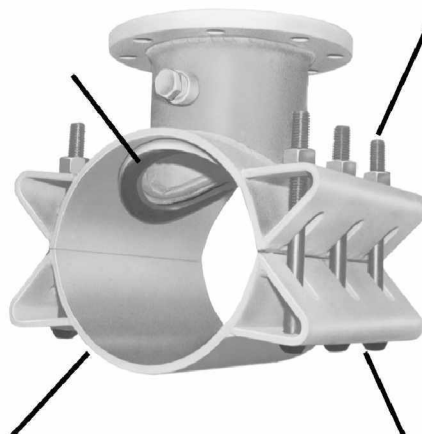
Exact formation to HDPE Pipe O.D. size.

Broad, pressure activated gasket set in retaining cavity, compresses and stores energy.

JCM Tapping Sleeve for Polyethylene Pipe

Broad Cross Section gasket set in retaining groove, compresses and stores energy.

Self-aligning, replaceable bolt.



Wide Body Design

Manufactured to accommodate pipe diameter and pipe fluctuation