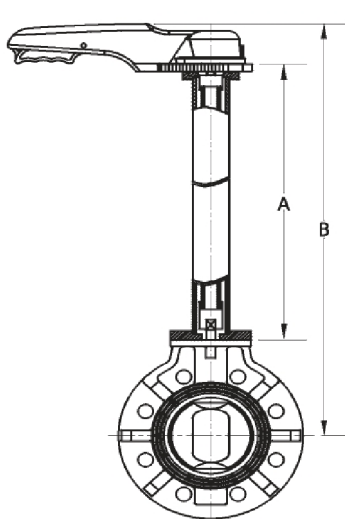
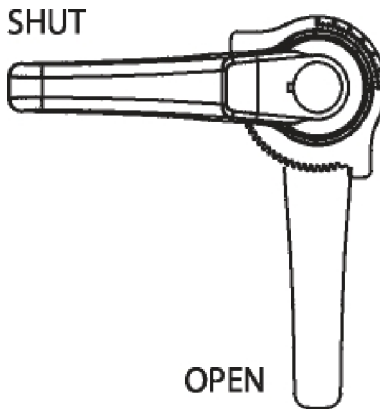




### Butterfly Valve Stem Extension

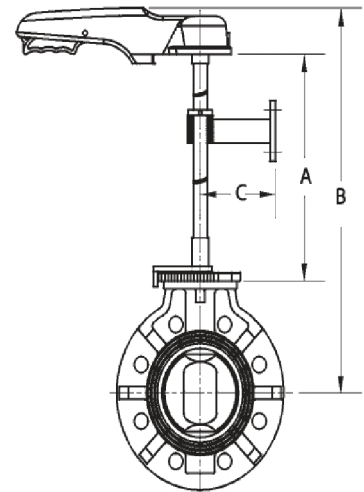


**STYLE A**  
(Two piece, Stem & Housing)



#### Two-Piece Stem and Housing

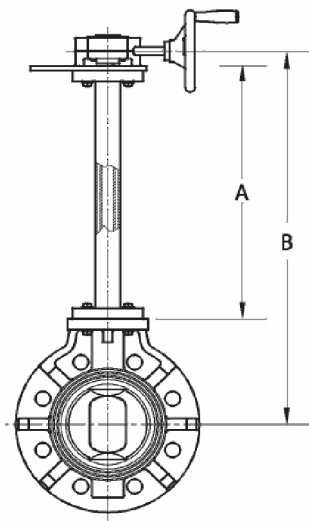
For submerged or buried application. PVC housing protects stem extension from aggressive environment. Epoxy coated carbon steel housing is also available, which is designed to meet landfill specification.



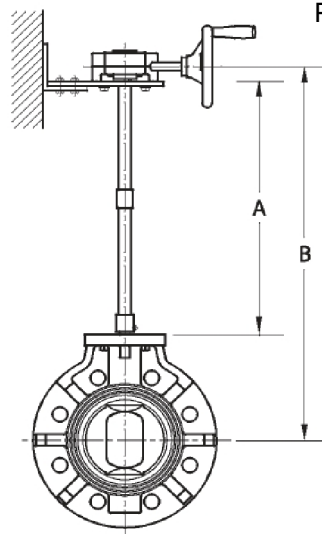
**STYLE B**  
(Once piece, Non-supported)

### Single Stem Extension

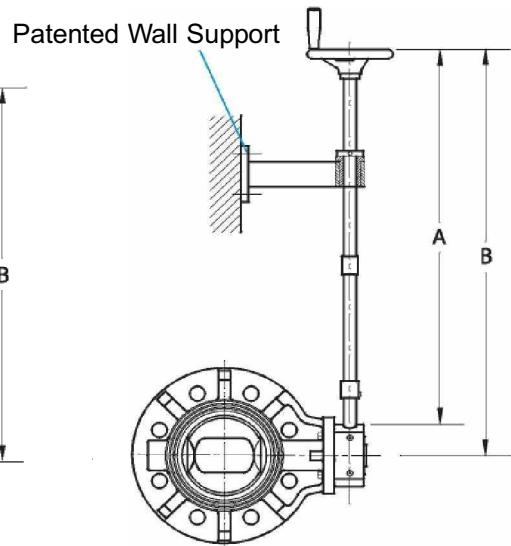
Valve handle can be extended away from the valve for out-of-reach location.



**STYLE A**  
(Two piece, Stem & Housing)



**STYLE B**  
(Once piece, Non-supported)



**STYLE C**  
(Once piece, Non-supported)