

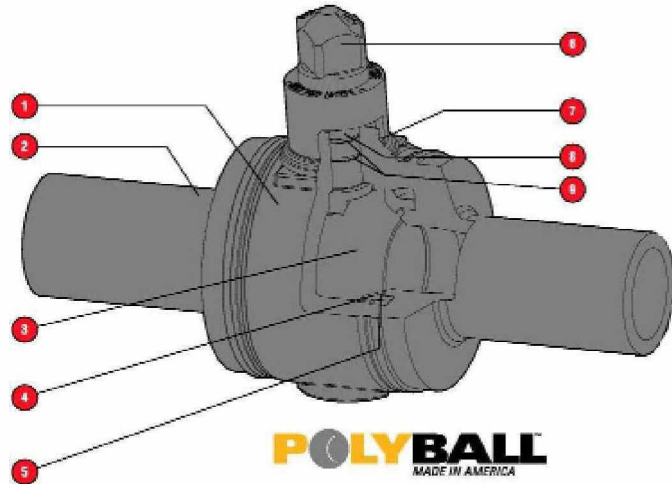


POLYBALL

MADE IN AMERICA

MATERIALS OF CONSTRUCTION

NO.	COMPONENT	MATERIAL	FEATURES AND BENEFITS
1	Body	POLYETHYLENE	PE 2406/PE 3408, flat base, robust design
2	Ends	POLYETHYLENE	PE 2406/PE 3408, various SDR's
3	Ball	POLYPROPYLENE	High strength, long life and low operating torque
4	Retainer	POLYPROPYLENE	Positive restraint under any condition; Retains seat under high differential pressure
5	Ball Seat	NITRILE	Reliable sealing from -20°F to 140°F
6	Actuator	POLYPROPYLENE	2" operating square, positive position indication, over-torque protection
7	Weather Seal	NITRILE: BUNA-N	Protects from ground water and dirt
8	Stem	ACETAL	Excellent durability and strength, blowout proof
9	Stem Seals	NITRILE: BUNA-N	Redundant sealing with dual o-rings



GENERAL INFORMATION

ITEM	OPERATING FEATURES
OPERATING	PE 2406 : 80 psig (5.5 bar), SDR 11 PE 3408 : 100 psig (6.9 bar), SDR 11 PE 3408 : 125 psig (8.6 bar), SDR 9.3
MATERIALS	Medium Density Polyethylene (PE 2406) High Density Polyethylene (PE 3408)
TEMPERATURE	From -20°F to 140°F (-29°C to 60°C)
PIPE CONNECTION VIA	Electrofusion or Butt Fusion
BORE	Full Port or Standard Port
STEM TYPE	Standard Stem or Extended Stem, length as required
SDR	11, other SDR'S available – 13.5, 11.5, 9.3